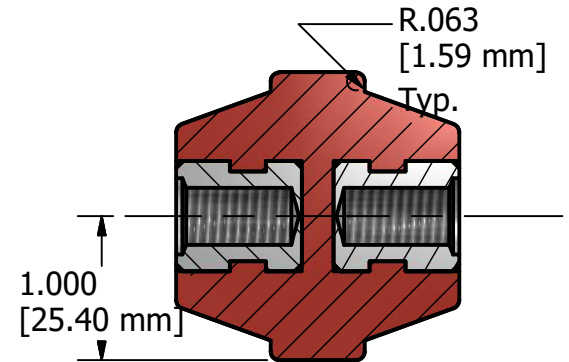
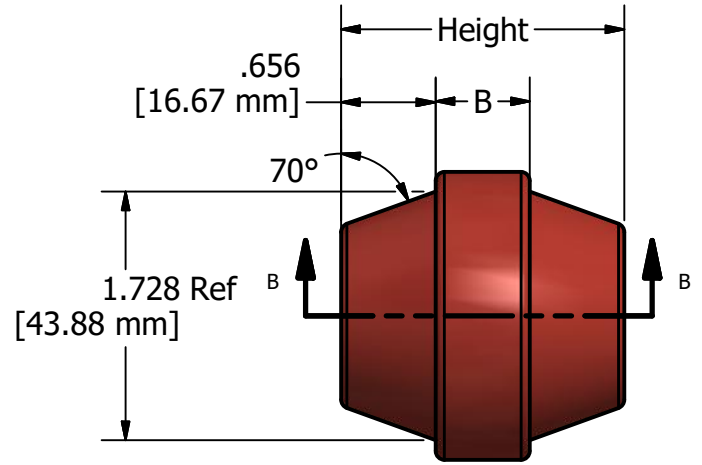
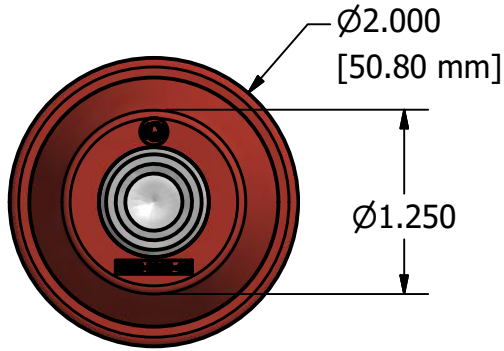


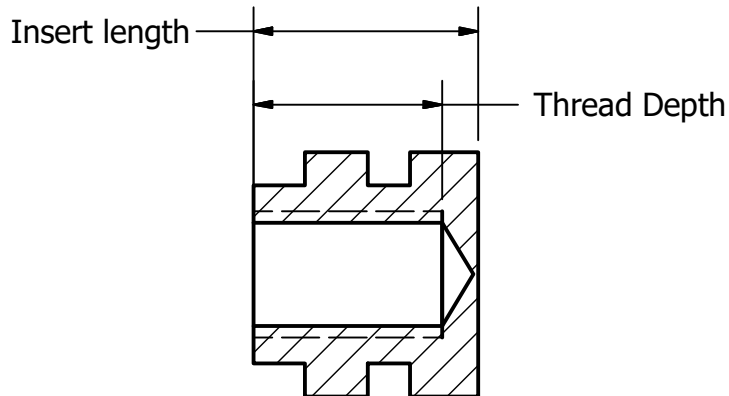
2017 Series

Part #	Height	B	Thread Size	Insert Length
GINS-2017-M2A	38 mm	5 mm	M8-1.25 x 13 deep	16 mm
GINS-2017-M2C	50 mm	17 mm	M8-1.25 x 17 deep	20 mm
GINS-2017-M3C	50 mm	17 mm	M10-1.5 x 17 deep	20 mm


Inserts	
Part#	Material
As shown	Aluminum
Followed by -B	Brass
Followed by -S	Steel



Hex Shaped Inserts



General Tolerances (in)			
Linear	Inj. moulding	Comp. Moulding	Metal
.236" to 1.181"	±.019"	±.019"	±.008"
1.181" to 4.724"	±.031"	±.039"	±.011"
4.724" to 15.748"	±.047"	±.059"	±.019"
15.748" to 39.37"	±.078"	±.098"	±.031"

APPROVED BY <i>solomon chiang</i>	PART NAME GINS-2017 Stand Off Series	MATERIAL approved UL Glass Polyester BMC (File #354884)	 2121 WALTON ROAD ST LOUIS MO 63114 USA (314)-423-5200 FAX (314)-423-9009
DRAWN BY Corey Smith	CUSTOMER CONTACT	Notes:	
DRAWING DATE 3/3/15 Rev 0	FACILITY	Dimensions in [ ] are in mm	