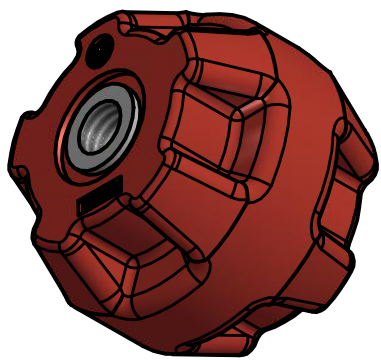
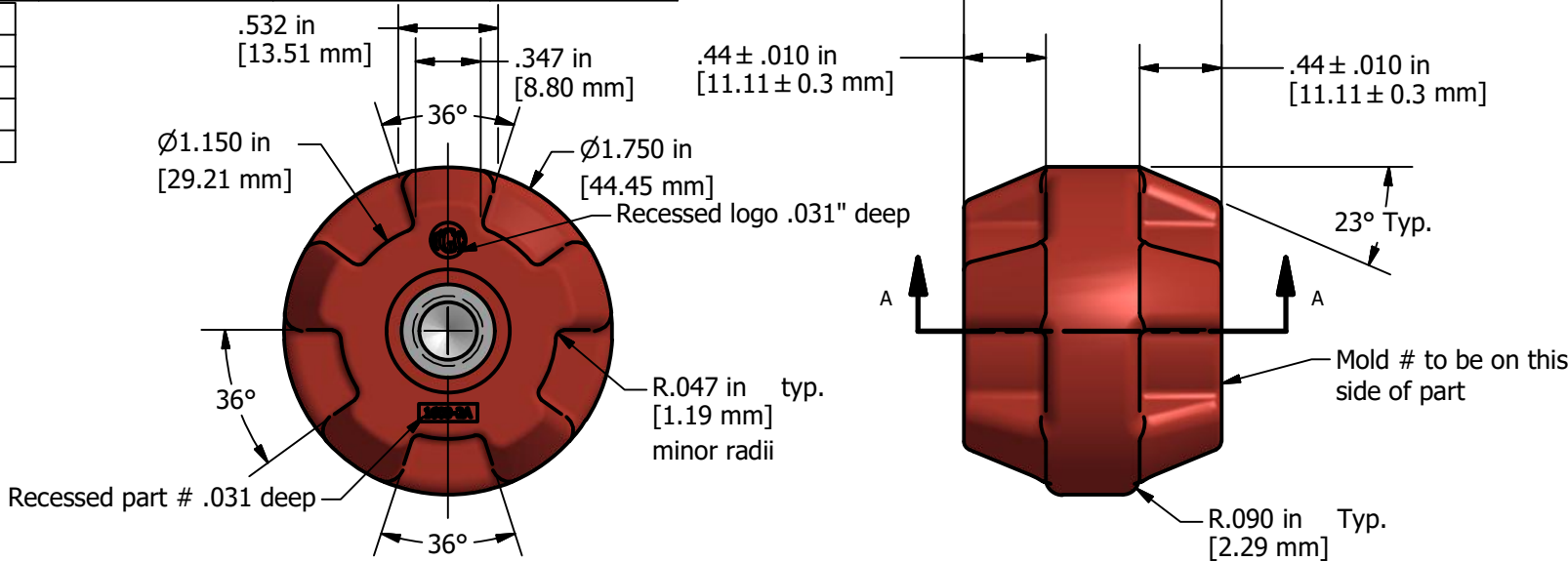
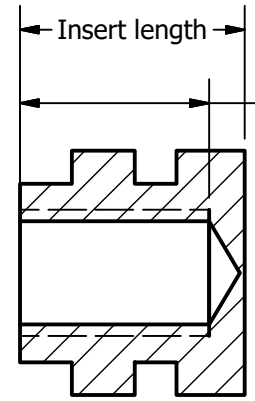


1603 Series				
Part #	Height	Thread Size	Thd Depth in dec.	Insert Length
GINS-1603-2A	1.375"	3/8-16x1/2 deep	.472"	.591"
GINS-1603-2D	1.5"	3/8-16x1/2 deep	.472"	.591"
GINS-1603-M2A	34.9mm	M10-1.5x12 deep		15mm
GINS-1603-M2D	38.1mm	M10-1.5x12 deep		15mm


Inserts	
Part#	Material
As shown	Aluminum
Followed by -B	Brass
Followed by -S	Steel



Hex Shaped Inserts



General Tolerances (in)			
Linear	Inj. moulding	Comp. Moulding	Metal
.236" to 1.181"	±.019"	±.019"	±.008"
1.181" to 4.724"	±.031"	±.039"	±.011"
4.724" to 15.748"	±.047"	±.059"	±.019"
15.748" to 39.37"	±.078"	±.098"	±.031"

APPROVED BY <i>Solomon Chiang</i>	PART NAME GINS-1603 Stand Off Series	MATERIAL approved UL Glass Polyester BMC (File #354884)	 2121 WALTON ROAD ST LOUIS MO 63114 USA (314)-423-5200 FAX (314)-423-9009
DRAWN BY Corey Smith	CUSTOMER CONTACT	Notes:	
DRAWING DATE	FACILITY	Dimensions in [] are in mm	
3/3/15 Rev 0			