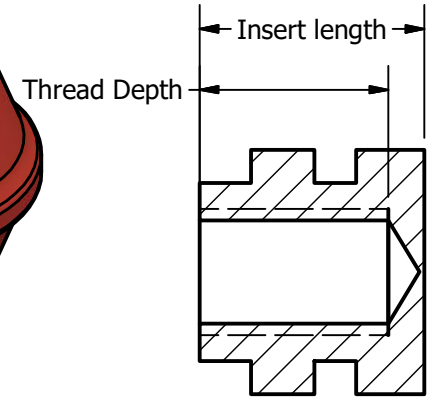


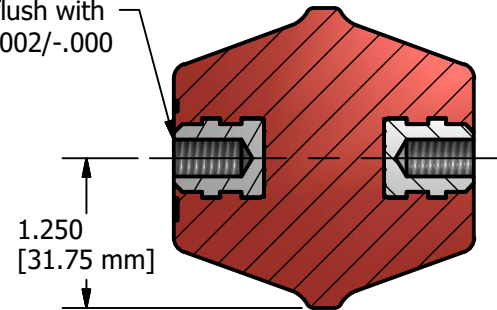
1872 Series

| Part #          | Height  | B       | Thread Size        | Thd Depth in dec. | Insert Length |
|-----------------|---------|---------|--------------------|-------------------|---------------|
| GINs-1872-1A    | 2.500"  | .250"   | 3/8-16x7/8 deep    | .866"             | .984"         |
| GINs-1872-2A    | 2.500"  | .250"   | 1/2-13x7/8 deep    | .866"             | .984"         |
| GINs-1872-3F    | 2.625"  | .375"   | 5/8-11x7/8 deep    | .866"             | .984"         |
| GINs-1872-1B    | 2.750"  | .500"   | 3/8-16x7/8 deep    | .866"             | .984"         |
| GINs-1872-2B    | 2.750"  | .500"   | 1/2-13x7/8 deep    | .866"             | .984"         |
| GINs-1872-1C    | 3.000"  | .750"   | 3/8-16x7/8 deep    | .866"             | .984"         |
| GINs-1872-2C    | 3.000"  | .750"   | 1/2-13x7/8 deep    | .866"             | .984"         |
| GINs-1872-1D    | 3.250"  | 1.000"  | 3/8-16x7/8 deep    | .866"             | .984"         |
| GINs-1872-2D    | 3.250"  | 1.000"  | 1/2-13x7/8 deep    | .866"             | .984"         |
| GINs-1872-1E    | 3.500"  | 1.250"  | 3/8-16x7/8 deep    | .866"             | .984"         |
| GINs-1872-2E    | 3.500"  | 1.250"  | 1/2-13x7/8 deep    | .866"             | .984"         |
| GINs-1872-3E    | 3.500"  | 1.250"  | 5/8-11x7/8 deep    | .866"             | .984"         |
| GINs-1872 - M1A | 63.5 mm | 6.4 mm  | M10-1.5 x 22 deep  |                   | 25 mm         |
| GINs-1872 - M2A | 63.5 mm | 6.4 mm  | M12-1.75 x 22 deep |                   | 25 mm         |
| GINs-1872 - M3F | 66.7 mm | 9.5 mm  | M16-2 x 22 deep    |                   | 25 mm         |
| GINs-1872 - M1B | 69.9 mm | 12.7 mm | M10-1.5 x 22 deep  |                   | 25 mm         |
| GINs-1872 - M2B | 69.9 mm | 12.7 mm | M12-1.75 x 22 deep |                   | 25 mm         |
| GINs-1872 - M1C | 76.2mm  | 19.1 mm | M10-1.5 x 22 deep  |                   | 25 mm         |
| GINs-1872 - M2C | 76.2 mm | 19.1 mm | M12-1.75 x 22 deep |                   | 25 mm         |
| GINs-1872 - M1D | 82.6 mm | 25.4 mm | M10-1.5 x 22 deep  |                   | 25 mm         |
| GINs-1872 - M2D | 82.6 mm | 25.4 mm | M12-1.75 x 22 deep |                   | 25 mm         |
| GINs-1872 - M1E | 88.9 mm | 31.8 mm | M10-1.5 x 22 deep  |                   | 25 mm         |
| GINs-1872 - M2E | 88.9 mm | 31.8 mm | M12-1.75 x 22 deep |                   | 25 mm         |
| GINs-1872 - M3E | 88.9 mm | 31.8 mm | M16-2 x 22 deep    |                   | 25 mm         |

Hex Shaped Inserts

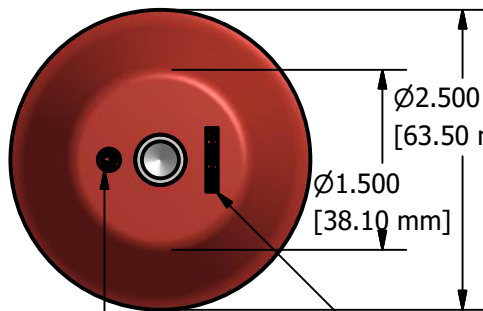


Inserts to be flush with top of insulator +.002/-.000

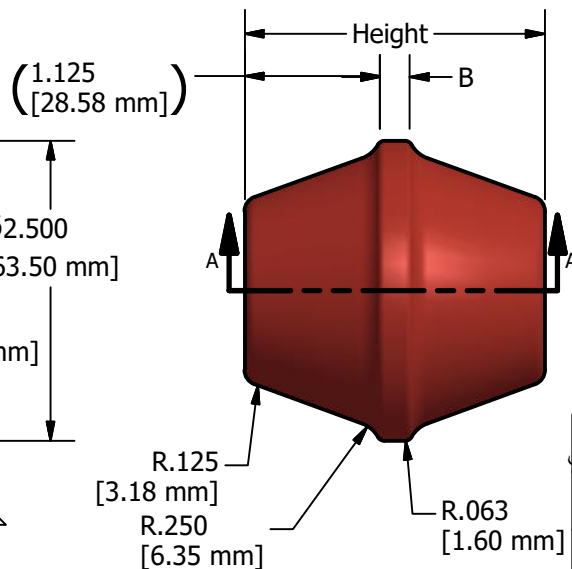


Section A-A


| Inserts        |          |
|----------------|----------|
| Part#          | Material |
| As shown       | Aluminum |
| Followed by -B | Brass    |
| Followed by -S | Steel    |



Recessed TGC logo .031"  
Recessed Part # .031



| General Tolerances (in) |               |                |        |
|-------------------------|---------------|----------------|--------|
| Linear                  | Inj. moulding | Comp. Moulding | Metal  |
| .236" to 1.181"         | ±.019"        | ±.019"         | ±.008" |
| 1.181" to 4.724"        | ±.031"        | ±.039"         | ±.011" |
| 4.724" to 15.748"       | ±.047"        | ±.059"         | ±.019" |
| 15.748" to 39.37"       | ±.078"        | ±.098"         | ±.031" |

|                                      |   |   |  |
|--------------------------------------|---|---|--|
| APPROVED BY<br><i>Solomon Chiang</i> | PART NAME<br>GINs-1872 Stand Off Series | MATERIAL<br>approved UL Glass Polyester BMC<br>(File #354884) | <br>2121 WALTON ROAD<br>ST LOUIS MO 63114 USA<br>(314)-423-5200<br>FAX (314)-423-9009 |
| DRAWN BY<br>Corey Smith              | CUSTOMER CONTACT                        | Notes:<br>Dimensions in [ ] are in mm                         |  |
| DRAWING DATE<br>3/3/15 Rev 0         | FACILITY                                |   |  |