



THE GUND COMPANY

10501-3 West 133rd Ave. PO Box 376

Cedar Lake, IN 46303

Visit us online at www.thegundcompany.com or

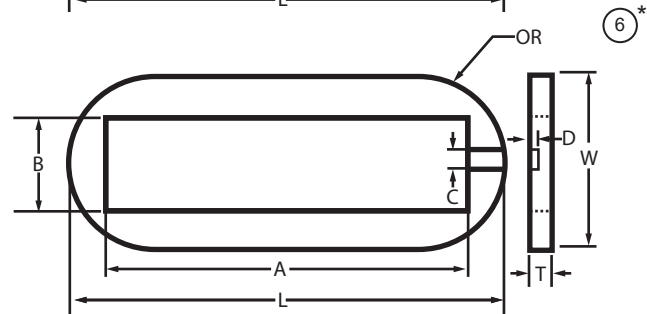
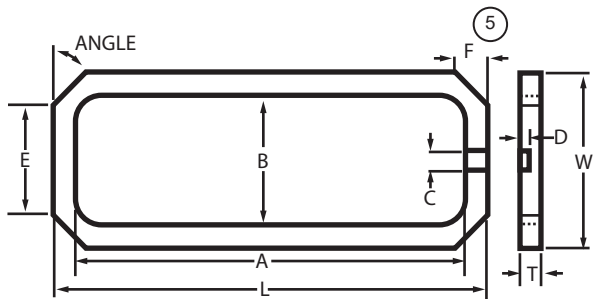
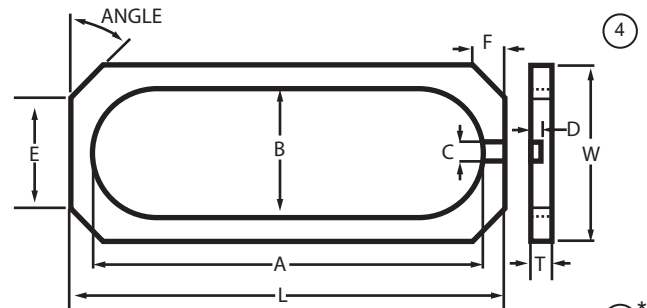
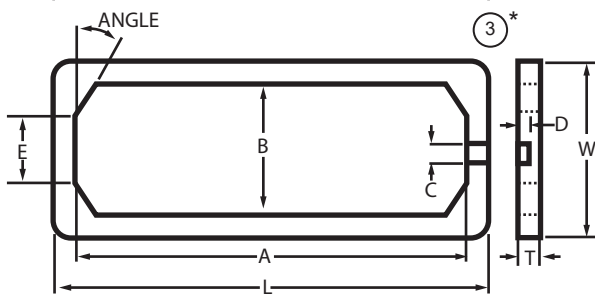
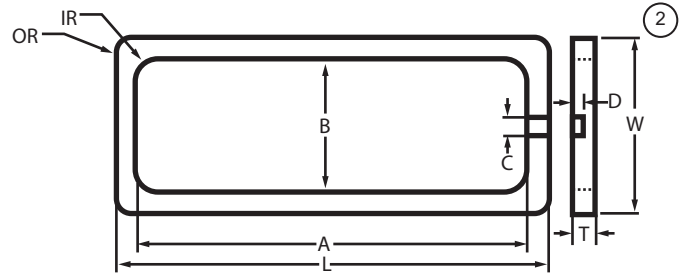
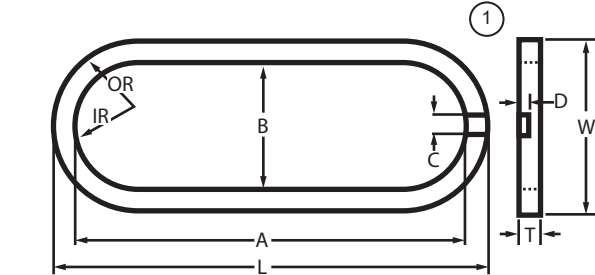
Contact us by phone (T) 219.374.9944 or 219.374.4548 (F) 219.374.9966 or

Email us at motors@thegundcompany.com or generators@thegundcompany.com

Slot Wedge Specialists

**24 Hour
Emergency
Service**

TYPE OF ORDER: POLE COLLAR QUOTE REQUEST FORM



* Internal corners will have tool radius

DIMENSIONS: Design

L: _____ IR: _____ T: _____

A: _____ OR: _____ E: _____

W: _____ C: _____ F: _____

B: _____ D: _____ ANGLE: _____

MATERIAL OPTIONS:

GLASS POLYESTER

CLASS B GPO-3 GPO-1

CLASS F GPO-1

CLASS H GPO-1

CLASS N GPO-1

GLASS EPOXY

CLASS B G-10

CLASS F G-11 G-3

GLASS MELAMINE

CLASS B G-9

CANVAS PHENOLIC

CLASS B CE PBBC

CUSTOMER INFORMATION:

CONTACT NAME: _____

COMPANY: _____

ADDRESS: _____

ORDER INFORMATION:

PO#: _____ SHIP METHOD: _____

DATE REQ'D: _____ QUANTITY: _____

**THANKS FOR THE OPPORTUNITY
TO SERVE YOU!**