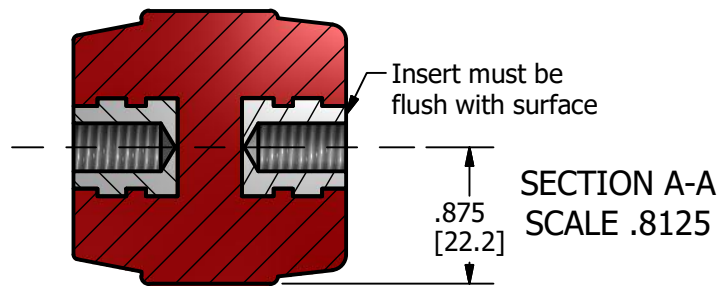
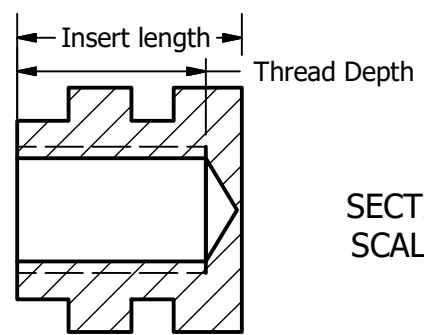


3061 Series					
Part #	Height	B	Thread Size	Thd Depth in dec.	Insert Length
GINS-3061-1A	1.375"	.500"	1/4-20x1/2 deep	.500"	.591"
GINS-3061-3A	1.375"	.500"	3/8-16x1/2 deep	.472"	.591"
GINS-3061-1B	1.500"	.625"	1/4-20x1/2 deep	.500"	.591"
GINS-3061-2B	1.500"	.625"	5/16-18x9/16 deep	.563"	.630"
GINS-3061-3B	1.500"	.625"	3/8-16x1/2 deep	.472"	.591"
GINS-3061-3C	1.750"	.875"	3/8-16x9/16 deep	.591"	.709"
GINS-3061-4C	1.750"	.875"	1/2-13x11/16 deep	.591"	.709"
GINS-3061-3D	2.000"	1.125"	3/8-16x11/16 deep	.669"	.787"
GINS-3061-4D	2.000"	1.125"	1/2-13x11/16 deep	.669"	.787"
GINS-3061-3E	2.125"	1.250"	3/8-16x11/16 deep	.669"	.787"
GINS-3061-3F	2.250"	1.375"	3/8-16x11/16 deep	.669"	.787"
GINS-3061-4F	2.250"	1.375"	1/2-13x11/16 deep	.669"	.787"
GINS-3061-5F	2.250"	1.375"	5/8-11x3/4 deep	.748"	.866"
GINS-3061-3G	2.500"	1.625"	3/8-16x7/8 deep	.866"	.984"
GINS-3061-3H	2.750"	1.875"	3/8-16x7/8 deep	.866"	.984"
GINS-3061-M1A	34.9mm	12.7mm	M6-1x12.7 deep		15mm
GINS-3061-M3A	34.9mm	12.7mm	M10-1.5x12 deep		15mm
GINS-3061-M1B	38.1mm	15.9mm	M6-1x12.7 deep		15mm
GINS-3061-M2B	38.1mm	15.9mm	M8-1.25x14.3 deep		16mm
GINS-3061-M3B	38.1mm	15.9mm	M10-1.5x12 deep		15mm
GINS-3061-M3C	44.5mm	22.2 mm	M10-1.5x15 deep		18mm
GINS-3061-M4C	44.5mm	22.2mm	M12-1.75x15 deep		18mm
GINS-3061-M3D	50.8mm	28.6mm	M10-1.5x17 deep		20mm
GINS-3061-M4D	50.8mm	28.6mm	M12-1.75x17 deep		20mm
GINS-3061-M3E	54mm	31.8mm	M10-1.5x17 deep		20mm
GINS-3061-M3F	57.2mm	34.9mm	M10-1.5x17 deep		20mm
GINS-3061-M4F	57.2mm	34.9mm	M12-1.75x17 deep		20mm
GINS-3061-M5F	57.2mm	34.9mm	M16-2x19 deep		22mm
GINS-3061-M3G	63.5mm	41.3mm	M10-1.5x22 deep		25mm
GINS-3061-M3H	69.9mm	47.6mm	M10-1.5x22 deep		25mm



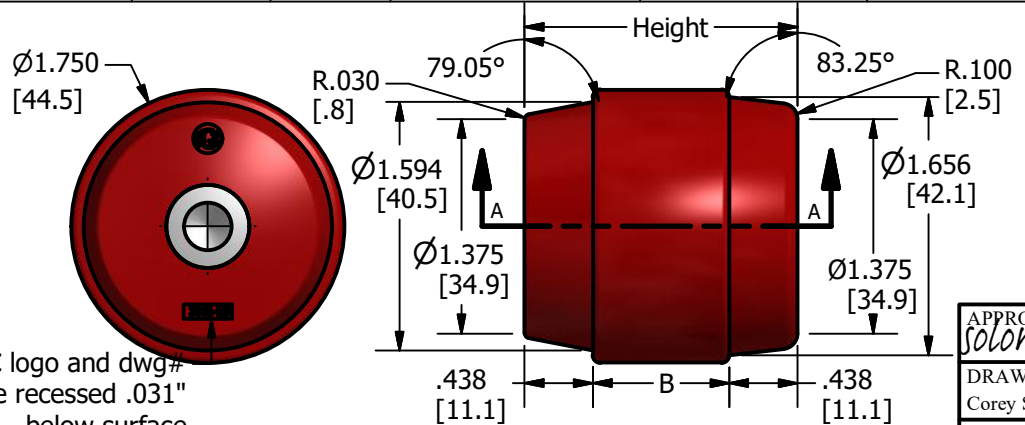
Hex shaped Inserts



SECTION B-B
SCALE 1.750

Inserts	
Part#	Material
As shown	Aluminum
Followed by -B	Brass
Followed by -S	Steel

General Tolerances (in)			
Linear	Inj. moulding	Comp. Moulding	Metal
.236" to 1.181"	±.019"	±.019"	±.008"
1.181" to 4.724"	±.031"	±.039"	±.011"
4.724" to 15.748"	±.047"	±.059"	±.019"
15.748" to 39.37"	±.078"	±.098"	±.031"



All dimensions are in inches

APPROVED BY <i>Solomon Chiang</i>	PART NAME GINS-3061 Stand Off Sseries	MATERIAL approved UL Glass Polyester BMC (File #354884)
DRAWN BY Corey Smith	CUSTOMER CONTACT	Notes:
DRAWING DATE	FACILITY	Dimensions in [] are in mm
1/1/2016 Rev 1		



CONFIDENTIAL AND PROPRIETARY
FOR THE GUND COMPANY USE ONLY