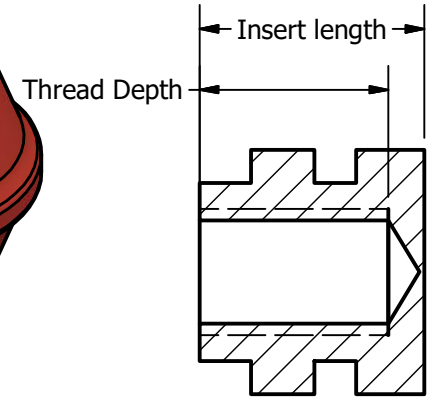


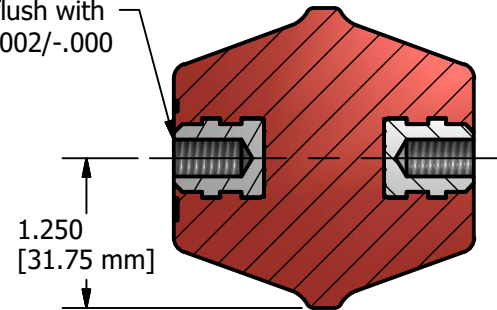
1872 Series

Part #	Height	B	Thread Size	Thd Depth in dec.	Insert Length
GINs-1872-1A	2.500"	.250"	3/8-16x7/8 deep	.866"	.984"
GINs-1872-2A	2.500"	.250"	1/2-13x7/8 deep	.866"	.984"
GINs-1872-3F	2.625"	.375"	5/8-11x7/8 deep	.866"	.984"
GINs-1872-1B	2.750"	.500"	3/8-16x7/8 deep	.866"	.984"
GINs-1872-2B	2.750"	.500"	1/2-13x7/8 deep	.866"	.984"
GINs-1872-1C	3.000"	.750"	3/8-16x7/8 deep	.866"	.984"
GINs-1872-2C	3.000"	.750"	1/2-13x7/8 deep	.866"	.984"
GINs-1872-1D	3.250"	1.000"	3/8-16x7/8 deep	.866"	.984"
GINs-1872-2D	3.250"	1.000"	1/2-13x7/8 deep	.866"	.984"
GINs-1872-1E	3.500"	1.250"	3/8-16x7/8 deep	.866"	.984"
GINs-1872-2E	3.500"	1.250"	1/2-13x7/8 deep	.866"	.984"
GINs-1872-3E	3.500"	1.250"	5/8-11x7/8 deep	.866"	.984"
GINs-1872 - M1A	63.5 mm	6.4 mm	M10-1.5 x 22 deep		25 mm
GINs-1872 - M2A	63.5 mm	6.4 mm	M12-1.75 x 22 deep		25 mm
GINs-1872 - M3F	66.7 mm	9.5 mm	M16-2 x 22 deep		25 mm
GINs-1872 - M1B	69.9 mm	12.7 mm	M10-1.5 x 22 deep		25 mm
GINs-1872 - M2B	69.9 mm	12.7 mm	M12-1.75 x 22 deep		25 mm
GINs-1872 - M1C	76.2mm	19.1 mm	M10-1.5 x 22 deep		25 mm
GINs-1872 - M2C	76.2 mm	19.1 mm	M12-1.75 x 22 deep		25 mm
GINs-1872 - M1D	82.6 mm	25.4 mm	M10-1.5 x 22 deep		25 mm
GINs-1872 - M2D	82.6 mm	25.4 mm	M12-1.75 x 22 deep		25 mm
GINs-1872 - M1E	88.9 mm	31.8 mm	M10-1.5 x 22 deep		25 mm
GINs-1872 - M2E	88.9 mm	31.8 mm	M12-1.75 x 22 deep		25 mm
GINs-1872 - M3E	88.9 mm	31.8 mm	M16-2 x 22 deep		25 mm

Hex Shaped Inserts

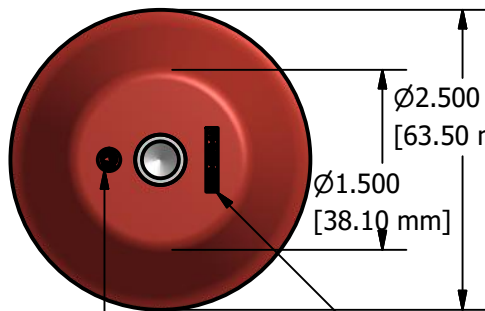


Inserts to be flush with top of insulator +.002/-.000

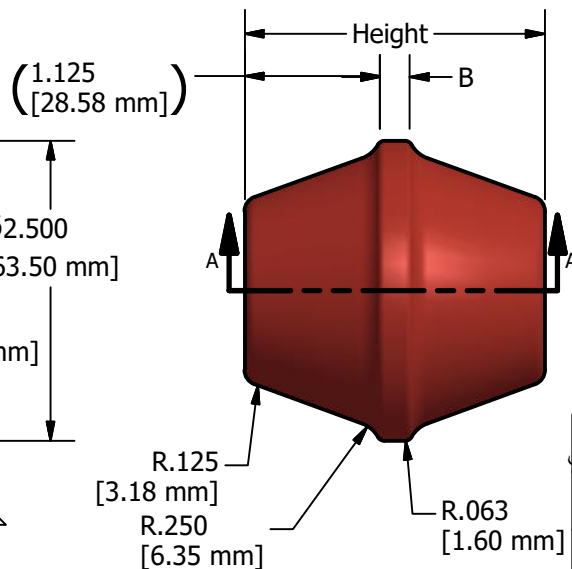


Section A-A

Inserts	
Part#	Material
As shown	Aluminum
Followed by -B	Brass
Followed by -S	Steel



Recessed TGC logo .031"
Recessed Part # .031



General Tolerances (in)			
Linear	Inj. moulding	Comp. Moulding	Metal
.236" to 1.181"	±.019"	±.019"	±.008"
1.181" to 4.724"	±.031"	±.039"	±.011"
4.724" to 15.748"	±.047"	±.059"	±.019"
15.748" to 39.37"	±.078"	±.098"	±.031"

APPROVED BY
Solomon Chiang

DRAWN BY
Corey Smith

DRAWING DATE
3/3/15 Rev 0

PART NAME
GINs-1872 Stand Off Series

CUSTOMER CONTACT

FACILITY

MATERIAL
approved UL Glass Polyester BMC
(File #354884)

Notes:

Dimensions in []
are in mm



2121 WALTON ROAD
ST LOUIS MO 63114 USA
(314)-423-5200
FAX (314)-423-9009