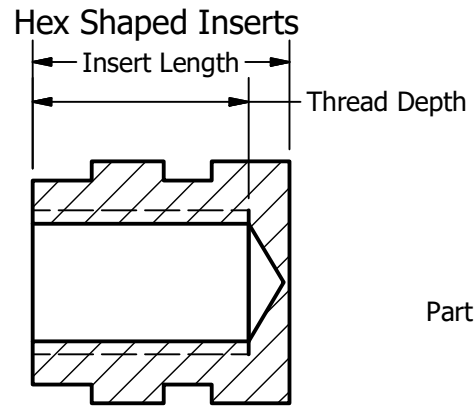
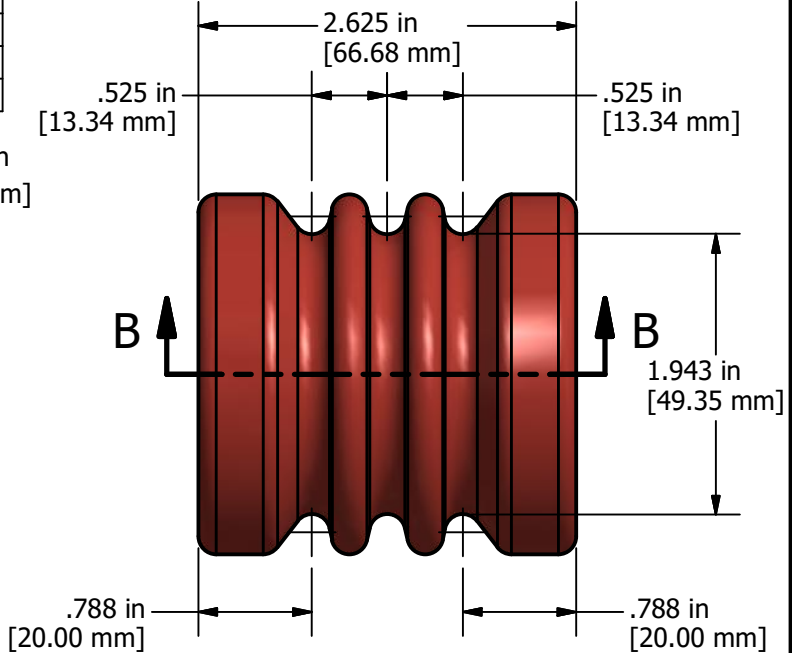
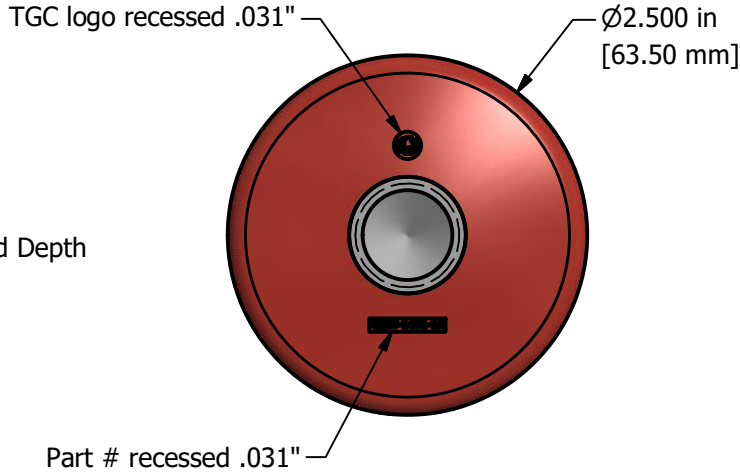


1461 Series				
Part #	Part Height	Thread Size	Thrd Depth in dec.	Insert Length
GINS-1461-2C	2.625"	5/8-16x11/16 deep	.748"	.866"
GINS-1461-M2C	66.7mm	M16x2.0x19 deep		22mm

Inserts	
Part#	Material
As shown	Aluminum
Followed by -B	Brass
Followed by -S	Steel



SECTION B-B SCALE .75

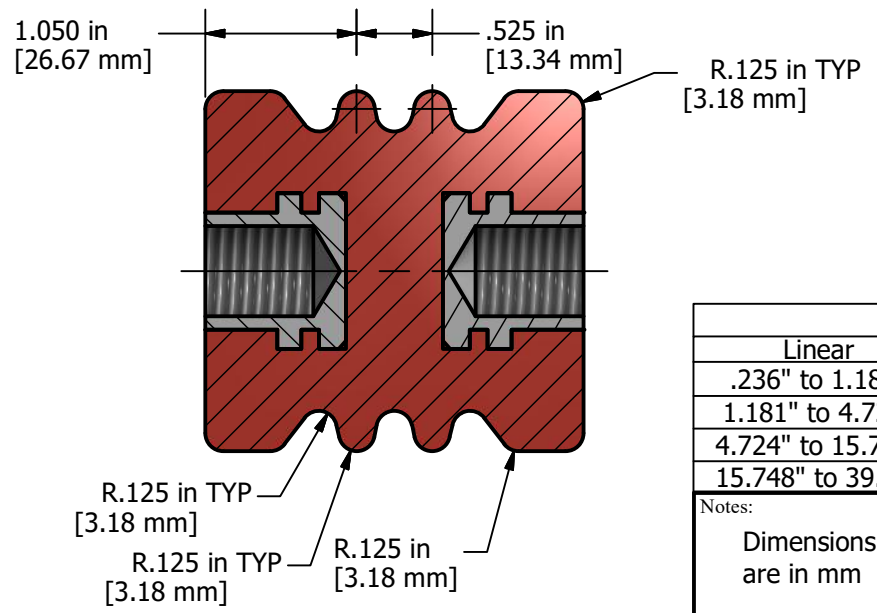


TABLE			
Linear	Inj. moulding	Comp. Moulding	Metal
.236" to 1.181"	±.019"	±.019"	±.008"
1.181" to 4.724"	±.031"	±.039"	±.011"
4.724" to 15.748"	±.047"	±.059"	±.019"
15.748" to 39.37"	±.078"	±.098"	±.031"

<b>MATERIAL</b> approved UL Glass Polyester BMC (File #354884)	<b>QTY</b>
--	------------

Notes: Dimensions in [ ] are in mm	APPROVED BY <i>Solomon Chiang</i>	PART NAME GINS-1461 Stand Off Series
	DRAWN BY Corey Smith	CUSTOMER CONTACT
	DRAWING DATE 6/2/15 Rev0	FACILITY

TOLERANCES
.xx ±
.xxx ±
Fract: ±
Angle: ±
Other: ±
Drawing Reference

2121 WALTON ROAD  
ST LOUIS MO 63114 USA  
(314)-423-5200  
FAX (314)-423-9009